

Robust Hand Dryer

Please read these instructions carefully and store in a safe place for future reference.

DV2100

As part of the **P+L Systems® Washroom** brand of washroom hygiene products, **DV2100** is a robust hand dryer, available in plastic, white metal or brushed stainless steel.

Contents of package

- 1 x DV2100 hand dryer
- 1 x M4 Hex key
- 4 x Wall mounting screws and wall plugs
- 1 x Mounting template

WARNING

- **DV2100** should only be installed by qualified electricians.
- This appliance must be correctly earthed. (Class 1)
- **DV2100** is not designed for domestic use.
- Do not install this hand dryer above sources of water such as sinks or taps.
- The mains cable must be a 'Type Y' cable, and if damaged it must be replaced by a specialist mains cable available from your supplier.

POSITIONING

DV2100 should be mounted at the appropriate height for the application as shown in the recommended mounting height table.

Where two or more dryers are being installed, ensure there is at least 600mm between each dryer.

CLEANING

CLEANING SHOULD BE CARRIED OUT BY SERVICE PERSONNEL ONLY, AFTER ENSURING THAT THE UNIT IS DISCONNECTED FROM THE MAINS SUPPLY.

It is recommended that cleaning is carried out regularly every month. Remove the front guard by releasing the two fixing screws. Carefully remove any build up of dust from within the dryer mechanism. Then replace the guard and wipe down the exterior of the dryer with a damp cloth, removing any build up of dirt. Never use abrasive cleaning liquids to clean the dryer. Ensure the unit is completely dry before reconnecting the power supply.

GUARANTEE

DV2100 has a two year guarantee and if maintained as recommended in these instructions should continue to work for many years.*

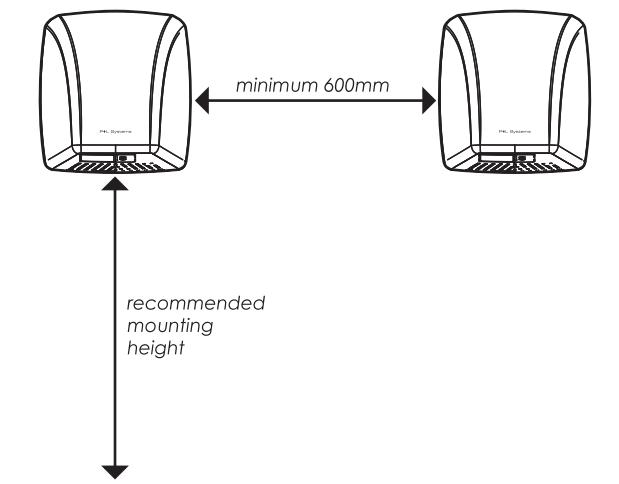
*Does not cover breakdown due to misuse, incorrect operation or use in an incorrect application.

DISPOSAL

DV2100 falls under the scope of the 'WEEE Directive' (2002/96/EC) and should be appropriately disposed of at the end of the products life.

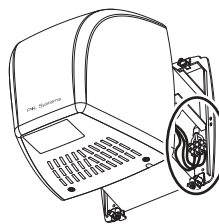
RECOMMENDED MOUNTING HEIGHTS

USER	HEIGHT
Men	109cm
Women	104cm
Children, ages 11 - 17	99cm
Children, ages 3 - 10	84cm
Wheelchair users	89cm

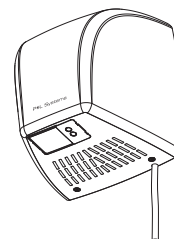


WIRING OPTIONS

Discreet wiring



Simple wiring



INSTALLATION

INSTALLATION SHOULD BE CARRIED OUT BY SERVICE PERSONNEL ONLY, IN LINE WITH LOCAL WIRING REGULATIONS. ENSURE POWER IS ISOLATED FROM THE CONNECTION POINT BEFORE STARTING THE INSTALLATION PROCESS.

The mains cable can either enter from behind the dryer for discreet installation (Requires a sunken mains cable) or from below for simple installation (Does not require a sunken mains cable.)

To install **DV2100...**

1. Remove the dryer front guard by first unscrewing the two retaining screws holding the guard in position, using the supplied hex key.
2. Offer the hand dryer backplate up to the mounting surface and mark the four fixing points through the holes in the backplate.
3. Drill the four marked fixing holes and insert the supplied wall plugs.
4. Offer the dryer backplate up to the wall, and insert the four fixing screws through the backplate into the wall plugs.
5. Connect the three wires coming from the mains supply to the terminal block, ensuring the correct locations are used for each wire as described below.

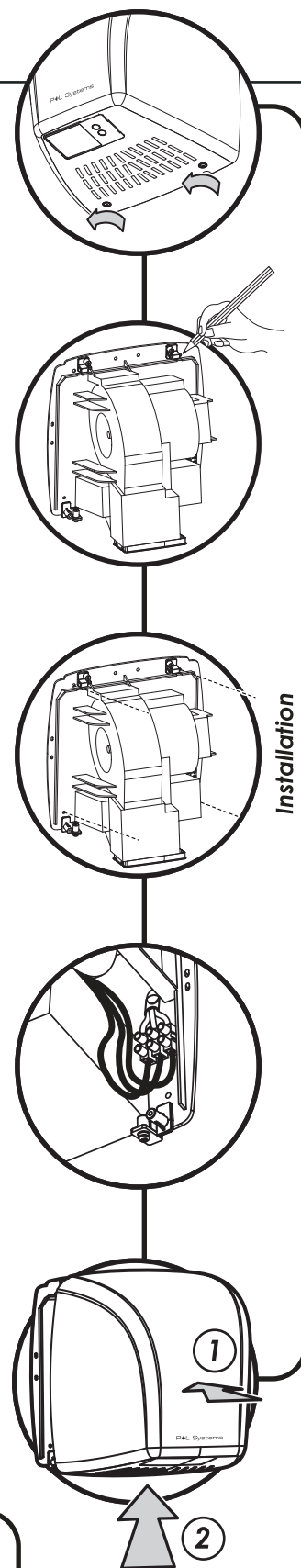
WIRING MARKINGS

Terminal Block Marking	Standard wire colour
L (Live)	Brown
N (Neutral)	Blue
⊕ (Earth)	Green & yellow

5. Replace the front guard, ensuring the two retaining screws are not overtightened.

USING DV2100

DV2100 incorporates no touch sensor activation for hygienic use. Before inserting hands under the dryer, shake off excess water. The dryer will stop activation when hands are removed.



Installation

SPECIFICATION

Unit	DV2100P	Unit	DV2100W	Unit	DV2100S
Voltage	230V ~ 50Hz	Voltage	230V ~ 50Hz	Voltage	230V ~ 50Hz
Dimensions(mm)	252 x 273 x 207	Dimensions(mm)	252 x 273 x 207	Dimensions(mm)	252 x 273 x 207
Weight	2.5 Kg	Weight	3.2 Kg	Weight	2.9 Kg
Power Draw	2,100 w	Power Draw	2,100 w	Power Draw	2,100 w
Motor Speed	5,000 RPM	Motor Speed	5,000 RPM	Motor Speed	5,000 RPM
Drying Time	25 seconds	Drying Time	25 seconds	Drying Time	25 seconds
Noise Level	75 db	Noise Level	75 db	Noise Level	75 db