

Fast Drying Hand Dryer

**Please read these instructions carefully and store in a safe place for future reference.**

### DP1000S

As part of the **P+L Systems® Washroom** brand of washroom hygiene products, **DP1000S** is a robust, fast drying hand dryer, with low power draw for a reduced environmental impact.

Contents of package

- 1 x DP1000S hand dryer
- 1 x M4 Hex key
- 4 x Wall mounting screws and wall plugs
- 1 x Mounting template

### WARNING

- **DP1000S** should only be installed by qualified electricians.
- This appliance must be correctly earthed. (Class 1)
- **DP1000S** is not designed for domestic use.
- Do not install this hand dryer above sources of water such as sinks or taps.
- The mains cable must be a 'Type Y' cable, and if damaged it must be replaced by a specialist mains cable available from your supplier.

### POSITIONING

**DP1000S** should be mounted at the appropriate height for the application as shown in the recommended mounting height table.

Where two or more dryers are being installed, ensure there is at least 600mm between each dryer.

### CLEANING

CLEANING SHOULD BE CARRIED OUT BY SERVICE PERSONNEL ONLY, AFTER ENSURING THAT THE UNIT IS DISCONNECTED FROM THE MAINS SUPPLY.

It is recommended that cleaning is carried out regularly every month. Remove the front guard by releasing the two fixing screws. Carefully remove any build up of dust from within the dryer mechanism. Then replace the guard and wipe down the exterior of the dryer with a damp cloth, removing any build up of dirt. Never use abrasive cleaning liquids to clean the dryer. Ensure the unit is completely dry before reconnecting the power supply.

### GUARANTEE

**DP1000S** has a three year guarantee and if maintained as recommended in these instructions should continue to work for many years.\*

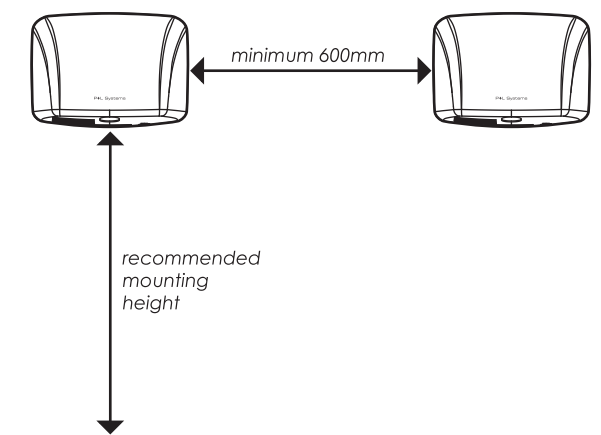
\*Does not cover breakdown due to misuse, incorrect operation or use in an incorrect application.

### DISPOSAL

**DP1000S** falls under the scope of the 'WEEE Directive' (2002/96/EC) and should be appropriately disposed of at the end of the products life.

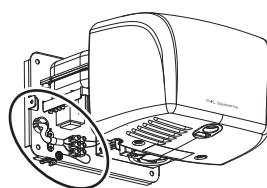
### RECOMMENDED MOUNTING HEIGHTS

USER	HEIGHT
Men	109cm
Women	104cm
Children, ages 11 - 17	99cm
Children, ages 3 - 10	84cm
Wheelchair users	89cm

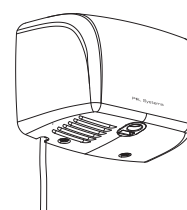


### WIRING OPTIONS

Discreet wiring



Simple wiring



## INSTALLATION

INSTALLATION SHOULD BE CARRIED OUT BY SERVICE PERSONNEL ONLY, IN LINE WITH LOCAL WIRING REGULATIONS. ENSURE POWER IS ISOLATED FROM THE CONNECTION POINT BEFORE STARTING THE INSTALLATION PROCESS.

The mains cable can either enter from behind the dryer for discreet installation (Requires a sunken mains cable) or from below for simple installation (Does not require a sunken mains cable.)

To install **DP1000S...**

1. Place the supplied mounting template at the appropriate height, and mark the four fixing holes and the discreet mains input location (If required.)
2. Drill the four marked fixing holes and insert the supplied wall plugs.
3. Remove the dryer front guard by first unscrewing the two retaining screws holding the guard in position, using the supplied hex key.
4. Offer the dryer backplate up to the wall, and insert the four fixing screws through the backplate into the wall plugs.
5. Connect the three wires coming from the mains supply to the terminal block, ensuring the correct locations are used for each wire as described below.

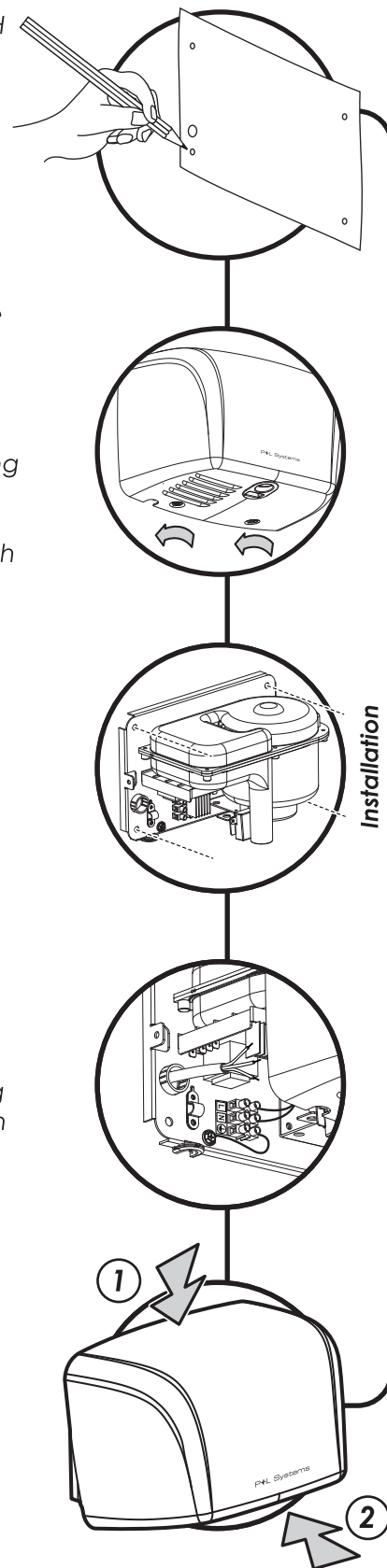
### WIRING MARKINGS

Terminal Block Marking	Standard wire colour
L (Live)	Brown
N (Neutral)	Blue
⊕ (Earth)	Green & yellow

5. Replace the front guard, ensuring the two retaining screws are not overtightened.

### USING DP1000S

**DP1000S** incorporates no touch sensor activation for hygienic use. Before inserting hands under the dryer, shake off excess water. The dryer will stop activation when hands are removed.



Installation

### SPECIFICATION

<b>Unit</b>	DP1000S
<b>Voltage</b>	220-240V ~ 50-60Hz
<b>Dimensions(mm)</b>	256 x 174 x 149
<b>Weight</b>	3.8 Kg
<b>Power Draw</b>	1,000 w
<b>Motor Speed</b>	29,000 RPM
<b>Drying Time</b>	14 - 17 seconds
<b>Noise Level</b>	75 db